

Quadra 5.0t Lift with built in lifting table



GARAGE EQUIPMENT
since 1922



Part No.: SF/9008/5

*See overleaf for
more information*

- Cover for control unit
- Overload safety valve
- Descent control valve
- Automatic descent stop
- "Buzzer" on last portion of descent
- Pipe burst safety valve
- 24V low tension dead man controls

Quadra 5.0t Lift with built in lifting table



GARAGE EQUIPMENT
since 1922

→ About the SF/9008/5

The Quadra 5.0t lift SF/9008/5 is a precision 4 post lift with auxiliary lifting table. The SF/9008/5 has a complete range of safety systems including an audible alarm during the final stages of descent, hydraulic 'parachute' valves and electronically operated mechanical safety latches.

Power supply is 3ph 400V 50Hz via a fused isolator. A rail is fitted to the inner platform for installation of a jacking beam if required.

→ Technical Specifications & Dimensions

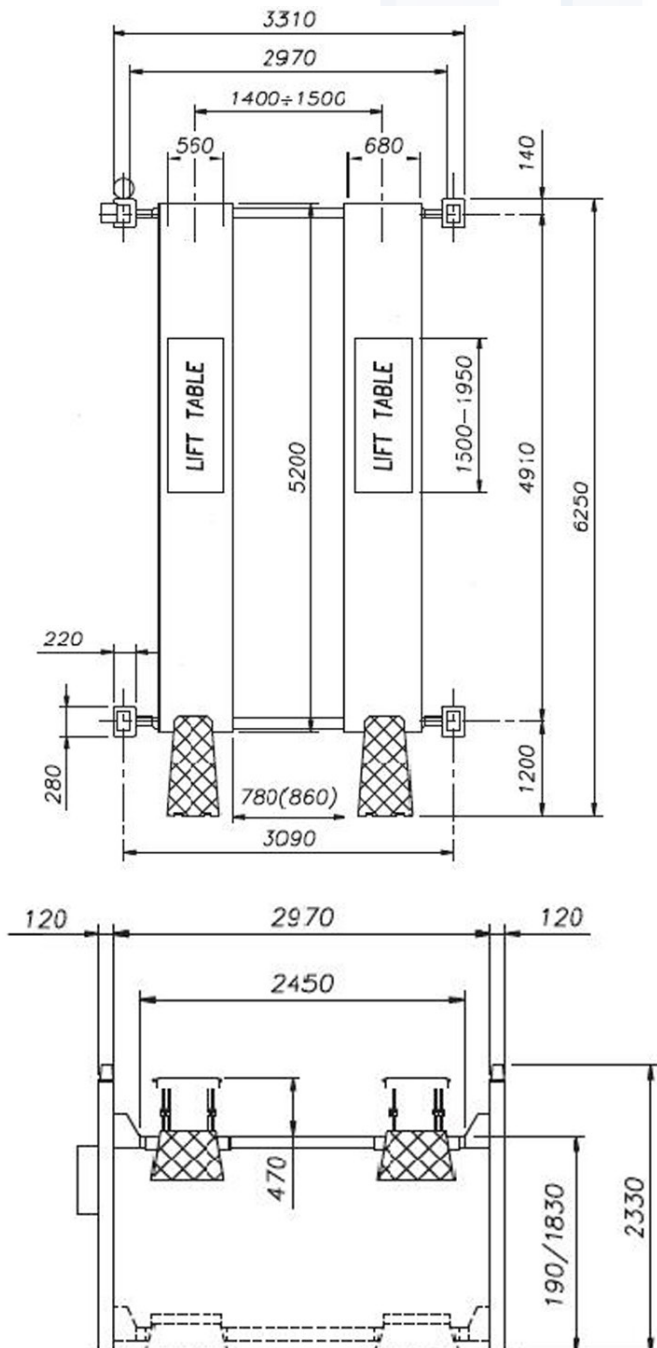
Capacity.....	5000kg
Weight.....	1800kg
Lifting/descent time.....	45/45 sec
Lifting height.....	1830mm
Motor.....	3.0kW – 3ph 230V – 400V/50Hz
Lift table capacity.....	5.0t

→ Part Nos. & Ordering Information

Quadra 5.0t Lift with built in lifting table.....	SF/9008/5
Quadra 5.0t Lift with built in lifting table 1ph.....	SF/9008/5/1

→ Options & Accessories

2.0t manual jacking beam.....	SS/8823
2.0t air operated jacking beam.....	SS/8823/P
3.0t manual jacking beam.....	SS/8833
Infill plate kit for use with OA/60292	
radius plates.....	OA/60296
Ball bearing captive radius plates.....	OA/60292
Ball bearing captive radius plates and infill plate kit.....	OA/62337



Issue No.: SF/9008/5 July 2020

Tecalemit Garage Equipment Co Ltd
Eagle Road, Langage Business Park,
Plymouth, United Kingdom PL7 5JY

Sales: 00 44 (0) 1752 219 111
Service: 00 44 (0) 1752 219 100
Fax: 00 44 (0) 1752 219 128
Email: sales@tecalemmit.co.uk
Web: www.tecalemit.co.uk

All information in this document is correct at time of publication. Tecalemit reserves the right to amend and alter specifications without prior notice. Please confirm any critical requirements with your supplier at time of ordering.

